

SOUNDSPHERE[®]

L O U D S P E A K E R S



Q-8 | OWNER'S MANUAL

Q-8 | OWNER'S MANUAL

Please read the following instructions carefully before installing your Soundsphere® speaker. If you have any questions regarding installation that are not answered in the following directions, please contact your local sound contractor or the Soundsphere®/MSE Audio® technical support team. Contact information can be found on the back of the manual.

General Information

| | |
|-------------------------|---------------|
| Maximum Amplifier Power | 100 Watts RMS |
| Nominal Impedance | 8 ohms |

Wiring

Amplifier connection is via flying leads. Connect the positive (+) amplifier lead to the RED input wire. Connect the negative (-) amplifier lead to the BLACK wire. Secure connections using wire nuts, etc. For wiring optional 100W transformer, see section "TX-100 Transformer Installation Instructions" on page 4 of this manual.

Mounting

Hanging Kit

Mount using one of the following methods:

- a) Properly secured wire rope with a minimum breaking strength of 225 lbs. (for a 10:1 safety factor).
- b) Beam clamp with proper load rating.

It is recommended to use a secondary wire rope support around one of the Q-8 legs. **Do not use rope for mounting.** The use of chain is not recommended unless rated for suspension of loads greater than or equal to 225 lbs (for a 10:1 safety factor).

Surface Mount Bracket

Secure the bracket to the hard surface using proper hardware. Secure the Q-8 to the bracket using the washers and nylon locknuts provided. It is recommended to use a secondary wire rope support around one of the Q-8 legs and through an unused bracket hole.

Warranty

Soundsphere loudspeakers carry a 5 year limited warranty and a 3 year limited warranty on all electrical components. See warranty sheet for details and limitations.

Replacement Parts

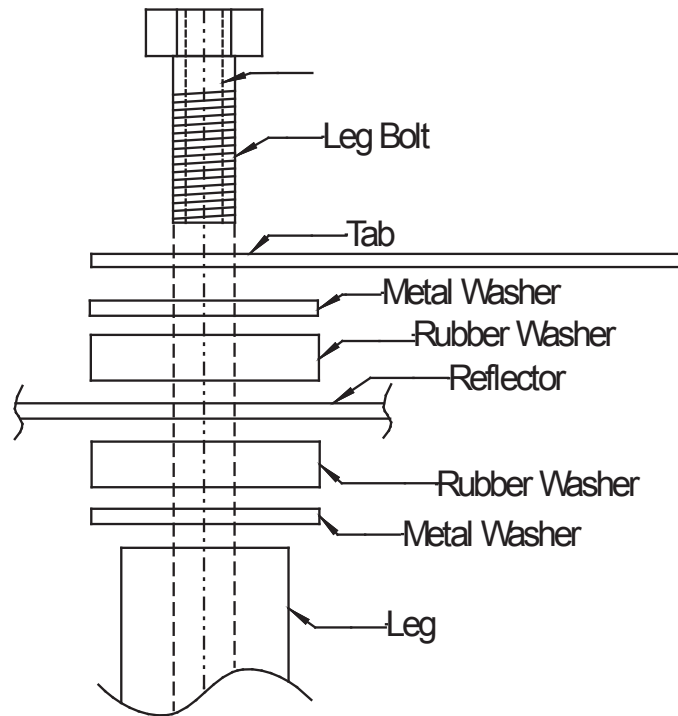
8" 100 Watt coaxial loudspeaker driver with crossover.

Order Model Number CX-8

Always check local requirements for overhead suspension of loudspeakers.

Replacing the Coax Driver and Crossover in the Q-8

1. Remove the reflector from the Q-8 by removing the 3 bolts, washers, and tabs.
2. Remove the 4 screws securing the driver. Remove the driver by gently lifting the tweeter with one hand and removing it with the other hand. Pull the wire out through the hole in the bolt.
3. Feed the wire from the replacement driver through the drilled bolt inside the sphere. Install the new driver and secure with screws.



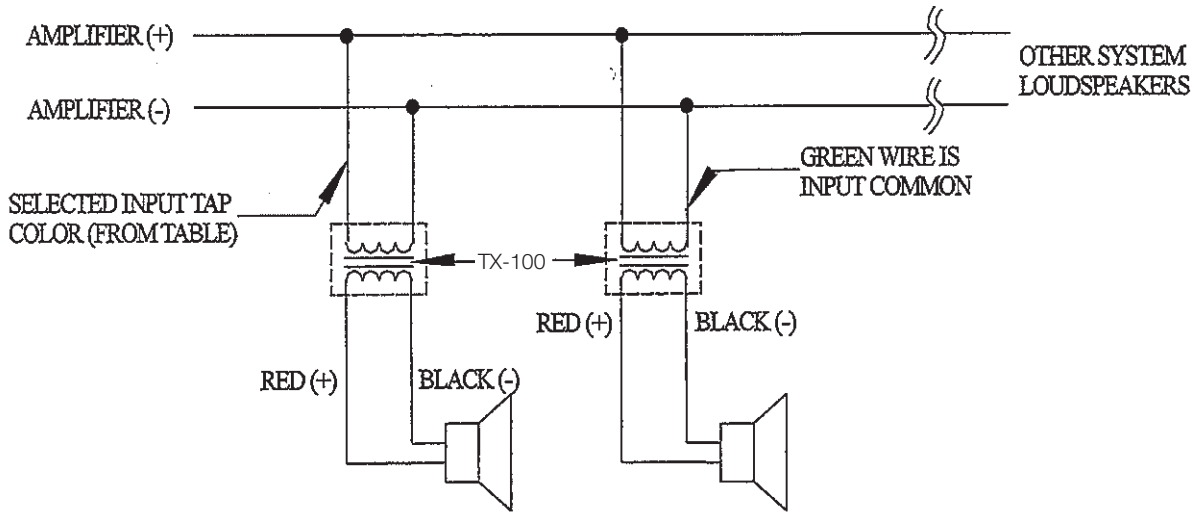
Other Information

Wire runs between the amplifier(s) and loudspeaker(s) must be of the appropriate gauge to insure the full audio performance capabilities of the Soundsphere loudspeakers. This applies to all loudspeaker impedances (4 or 8 Ohms) or audio line voltages (50, 70.7 or 100 Volts). For more information, please see the 'Downloads' section at www.soundsphere.com, or call our Customer Service at 913.663.5600.

TX-100 Transformer Installation Instructions

The TX-100 is designed for use with the Model Q-8 loudspeaker. Power taps are provided for 25V, 70V, and 100V systems:

| | 25V | 70V | 100V |
|---------------|--------|--------|--------|
| Green | Common | Common | Common |
| Brown | 25W | - | - |
| Purple | 12.5W | 100W | - |
| Orange | - | 50W | 100W |
| Yellow | - | 25W | 50W |
| White | - | 12.5W | 25W |
| Blue | - | - | 12.5W |



Remember to clip and insulate unused input wires; shorting any input wire to another will reduce the volume level and place an unexpected load on the power amplifier.

Notes:

- Red or Red with White stripe is 8 ohm tap.
- The total tap wattages should not exceed the amplifier's capability.

WARNING

Be sure to securely tighten all hardware before hanging the loudspeaker. Wire rope (steel cable), cable clamps with saddles and thimbles of suitable size and strength are the recommended materials for overhead suspensions.

All loudspeakers should be redundantly safety wired to structural members of the building with an approved safety wire system or other agency certified materials.

**IMPORTANT: Always check local safety codes before installing any overhead loudspeaker system and for periodic inspection and maintenance of the installation.*